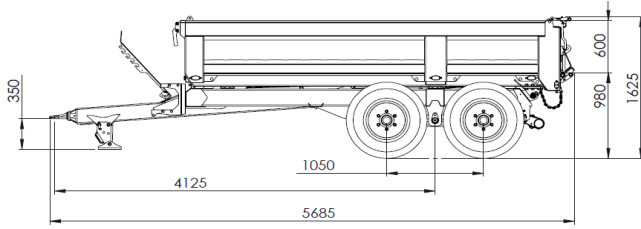


Ferrel

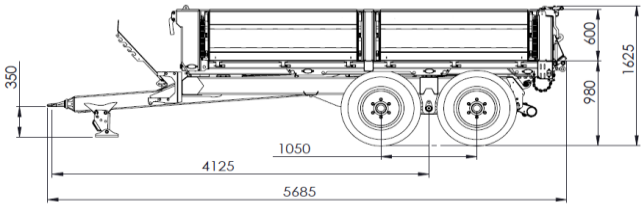
BUILDING DUMPER TRAILERS TOUGH SINCE 2009



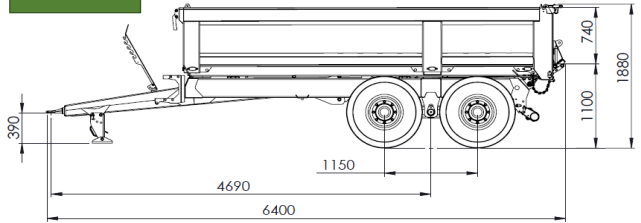
105D



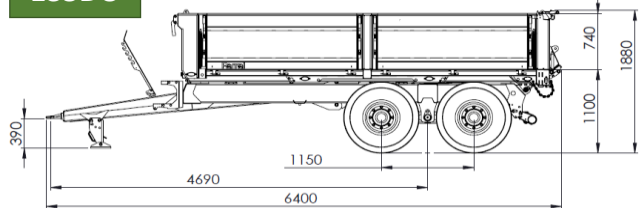
105DU



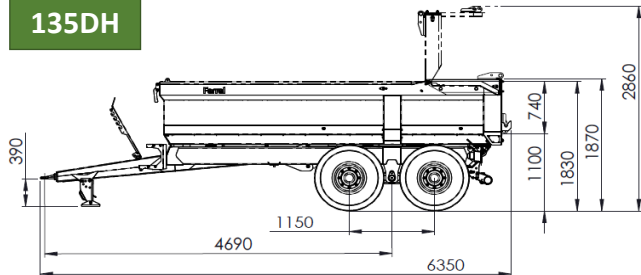
135D



135DU



135DH



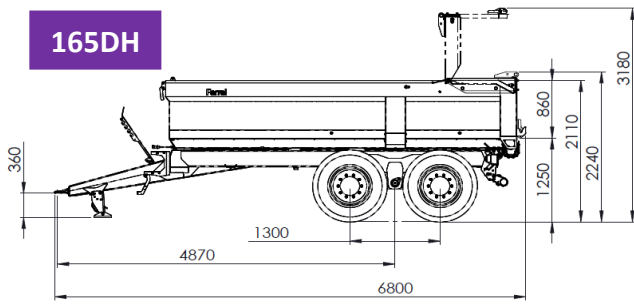
105D/ 105DU

Base model frame grey/box red	RAL 7021 / RAL 3003
Box dimensions inside (l/w/h)	4000/ 2420/ 600 mm
Empty weight	2,9 t
Load capacity	10,5 t
Total weight	13,4 t
Capacity (with extension)	5,7 m ³ (14,4m ³)
Box material	6/4 mm (Hardox 450)
Max tilt angle	55°
Hydraulic pressure	180...200 bar
Tilting cylinder	NAS 5
Axle/ Wheel bolt	70x70 / 6
Brake type	300x60; 0/2/4
Standard wheels	400/60- 15,5"
Speed limit	40 km/h

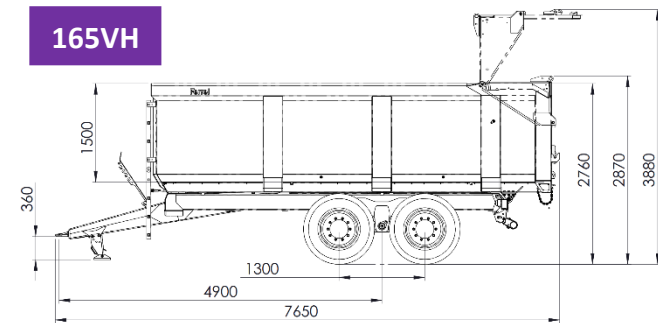
135D / 135DU

135DH

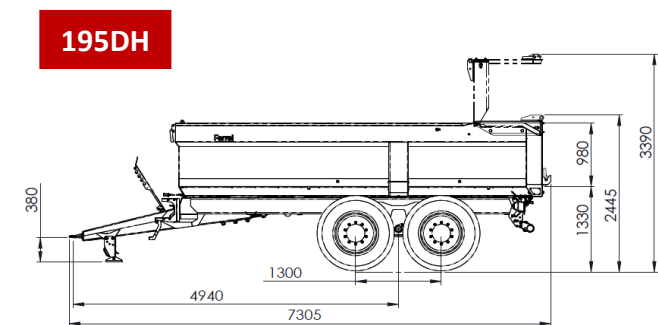
	135D / 135DU	135DH
Base model frame grey/box red	RAL 7021 / RAL 3003	RAL 7021 / RAL 3003
Box dimensions inside (l/w/h)	4500/ 2420/ 740 mm	4500/ 2420/ 740 mm
Empty weight	4,1 t	3,9 t
Load capacity	13,5 t	13,5 t
Total weight	17,6 t	17,4 t
Capacity (with extension)	8,0 m ³ (19m ³)	7,8 m ³ (15,5m ³)
Box material	6/4 mm (Hardox 450)	6/5 mm (Strenx 700)
Max tilt angle	55°	55°
Hydraulic pressure	180...200 bar	180...200 bar
Tilting cylinder	NAT 6	NAS 6
Axle/ Wheel bolt	80x80 / 8	80x80 / 8
Brake type	350x90; 0/ 2/ 4;	350x90; 0/ 2/ 4;
Standard wheels	500/ 50 -17"	500/ 50 -17"
Speed limit	40 km/h	40 km/h



165DH



165VH



195DH

	165DH	165VH
Base model frame grey/box red	RAL 7021 / RAL 3003	RAL 7021 / RAL 3003
Box dimensions inside (l/w/h)	4950/ 2350/ 860 mm	5950/ 2340/ 1500 mm
Empty weight	4,7 t	5,0 t
Load capacity	16,5 t	16,5 t
Total weight	21,2 t	21,5 t
Capacity (with extension)	10,0 m ³ (18,4m ³)	20,5 m ³ (32m ³)
Box material	6/5 mm (Strenx 700)	5/4 mm (S355)
Max tilt angle	53°	53°
Hydraulic pressure	180...200 bar	180...200 bar
Tilting cylinder	2x NAS 5	2x NAS 6
Axle/ Wheel bolt	90x90 / 10	90x90 / 10
Brake type	406x120; 0/ 2/ 4;	406x120; 0/ 2/ 4;
Standard wheels	560/ 45 -22,5"	560/ 45 -22,5"
Speed limit	40 km/h	40 km/h

	195DH
Base model frame grey/box red	RAL 7021 / RAL 3003
Box dimensions inside (l/w/h)	5450/ 2350/ 980 mm
Empty weight	5,3 t
Load capacity	19,5 t
Total weight	24,8 t
Capacity (with extension)	12,5 m ³ (21,7m ³)
Box material	6/5 mm (Strenx 700)
Max tilt angle	52°
Hydraulic pressure	180...200 bar
Tilting cylinder	2x NAT 6
Axle/ Wheel bolt	100x100 / 10
Brake type	406x140; 0/2/4
Standard wheels	600/50- 22,5"
Speed limit	40 km/h

WHAT DOES OUR MODEL NAME INDICATE?

NUMBER INDICATES LOAD CAPACITY

FIRST LETTER INDICATES DUMPER TYPE:

- V** - volume (materials with lower relative density like grain, wood chips aso)
- D** - dumper (for higher density materials like soil, gravel, sand aso)

SECOND LETTER INDICATES BACKDOOR TYPE:

- U** - universal (one side can be opened)
- H** - Hydraulical backdoor
- No second letter - classic backdoor*

165VH

for volume
 load capacity 16,5 t Hydraulical backdoor

	105D	105DU	135D	135DU	135DH	165DH	165VH	195DH
POSSIBLE UPGRADES WHEN PURCHASING A NEW TRAILER								
Hydraulic spreader, 300mm	X	X	X	X	-	-	-	-
Manual locking for rear hatch	X	X	X	X	-	-	-	-
Grain door in rear hatch	-	-	X	X	X	X	Base	X
Brakes in all wheels	X	X	X	X	X	X	X	X
Pneumatic brake system	X	X	X	X	X	X	X	X
Changed box colors	X	X	X	X	X	X	X	X
Spring suspended drawbar	-	-	-	-	-	X	X	Base
Bolted towing eye	X	X	X	X	X	-	-	-
Optional wheels	500/50 R17"		560/45 R22,5"			600/50 R22,5 710/45 R22,5"		
ACCESSORIES THAT CAN BE ADDED LATER								
Front cover	X	X	X	X	X	X		X
Box elevation	X	X	X	X	X	X	X	X
Box elevation cover with handle	X	X	X	X	X	X	X	X
Mechanical lifting cylinder limiter	X	X	X	X	X	X	X	X
Toolbox 600x350x450mm	X	X	X	X	X	X	X	X
Tooling rack for front wall	X	X	X	X	X	-	-	-
Round bale support	X	X	X	X	-	-	-	-
Timber stakes	X	X	X	X	-	-	-	-
Parking brake	X	X	X	X	X	X	X	X
Distanced lubrication for axle	-	-	-	-	-	X	X	X



www.ferrel.fi

info@farmiforest.fi

+372 322 3421

Põllu 3, Sõmeru, Lääne-Virumaa, Estonia, 44201